

KLIMA-FLEX ADJUSTABLE 3D-HINGE 180°



Specifically designed hinge to simplify mounting on insulated doors. Adjustable in the X-, Y- and Z-axis by 3 mm.

Supplied with adjustment screws and fastening plate.

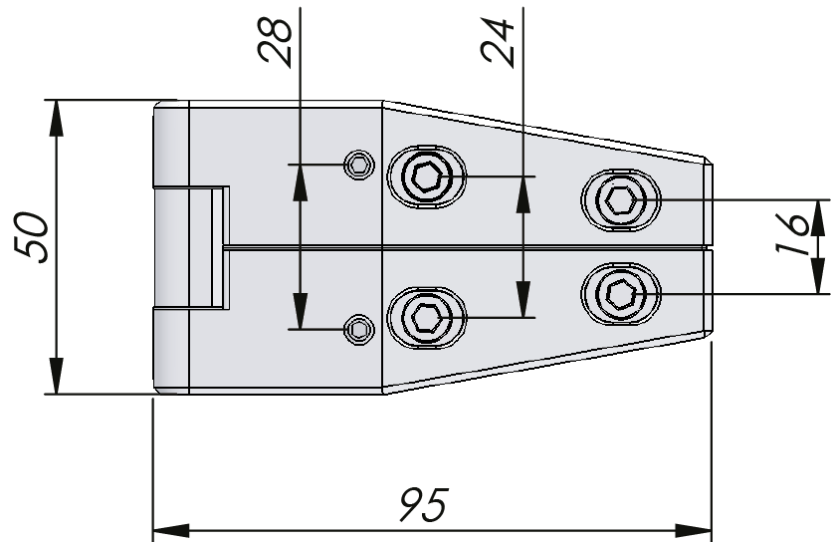
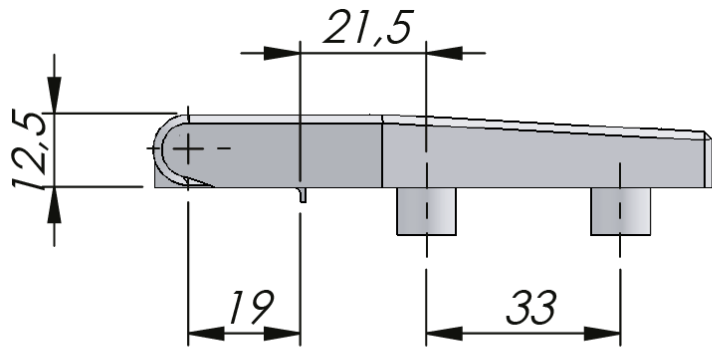


MATERIAL

Hinge: Zinc die cast, zinc plated or black texture powder coated
Pin: Steel, zinc plated
Mounting plate: Zinc die cast, zinc plated

RELATED PRODUCTS

Similar products: 3-160
 Use the Index Code at industrilas.com



P/N	Surface treatment
321151-3D	Zinc plated
321651-3D	Black



